

SPECIFICATION DATA SHEET

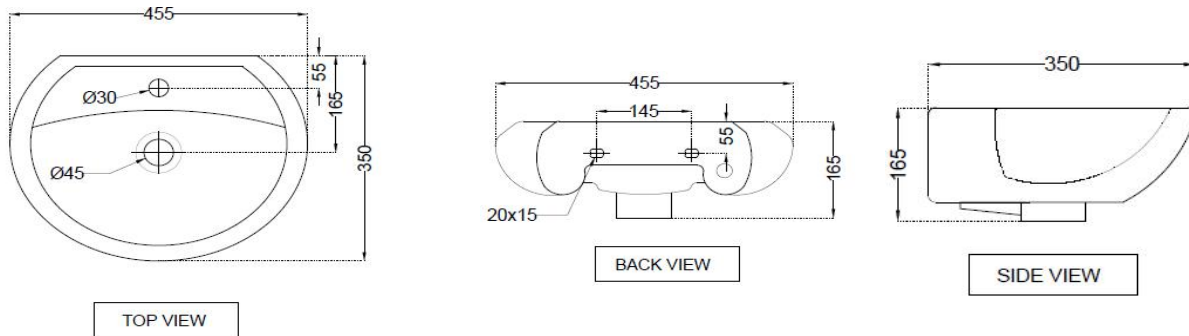
PRODUCT DETAILS

Manufacturer :	ESSCO	Type:	Wall Hung Basin
Outlet	Vertical	Colour:	White
Technical Details:	Tap hole dia. $\varnothing 30 \pm 2$ mm	Material:	Ceramic - Vitreous China
	ID of waste outlet hole dia. $\varnothing 45 \pm 3$ mm Horizontal distance between the center line of the tap hole and the center line of the waste outlet hole ≤ 110 mm		

PRODUCT IMAGE



TECHNICAL DRAWING



Product Dimension	455x350x165 mm	FEATURES Tap Hole Basin, Overflow Hole, Anti germ glaze
Basin Inner Dimension	390X230X110 mm	
Product Weight	7.1 kg	

ACCESSORIES INCLUDED

Overflow hole Cap	ZPS-WHT-9012
Basin fixing screw	ZPS-MST-RB03

CERTIFICATION

All technical dimensions are in accordance to Bureau of Indian Standards

DISCLAIMER: Our every effort has been made to ensure factual accuracy, the information presented subject to changes due to requirements in different sites, markets and/ or countries. All dimensions are in mm (Tolerance ± 5 MM). Jaquar reserves the right to make the necessary amendments at any time without prior notice.