



ECS-WHT-751S220SPPZ

SPECIFICATION DATA SHEET

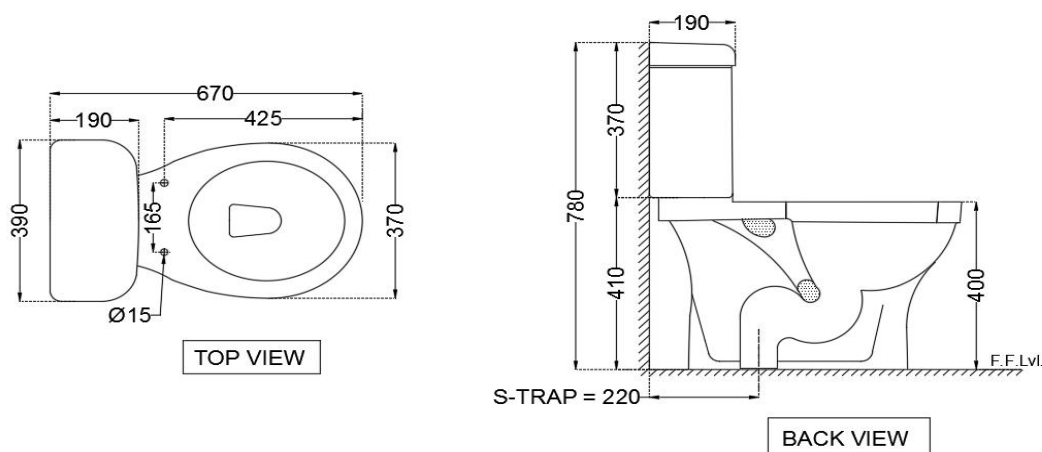
PRODUCT DETAILS

Manufacturer :	ESSCO	Type:	Complete Set For Coupled WC (S-Trap)
Colour:	White	Outlet	Vertical
Technical Details:	External diameter of outlet hole dia. $\varnothing 100 \pm 5$ mm	Material:	Ceramic - Vitreous China
	Horizontal distance between the wall line and the centre line of the waste outlet hole ≤ 220 mm		

PRODUCT IMAGE



TECHNICAL DRAWING



Product Dimension	390x670x780 mm	FEATURES Combined packing of Bowl & Cistern, Efficient Flushing, Dual Flushing - 3/6 LPF, Anti germ glaze, Trap glaze,
Trap Distance	S Trap - 220 mm	
Product Weight	29.5 Kg	

ACCESSORIES INCLUDED

PP Soft Close Seat cover	ECS-WHT-109S
Floor fixing screw	ZPS-SNS-FB01
Wax Seal	ZPS-WHT-1401
Cistern	ECS-WHT-201C
Cistern Fittings	ZCF-WHT-FT003

CERTIFICATION

All technical dimensions are in accordance to Bureau of Indian Standards

DISCLAIMER: Our every effort has been made to ensure factual accuracy, the information presented subject to changes due to requirements in different sites, markets and/ or countries. All dimensions are in mm (Tolerance ± 5 MM). Jaquar reserves the right to make the necessary amendments at any time without prior notice.