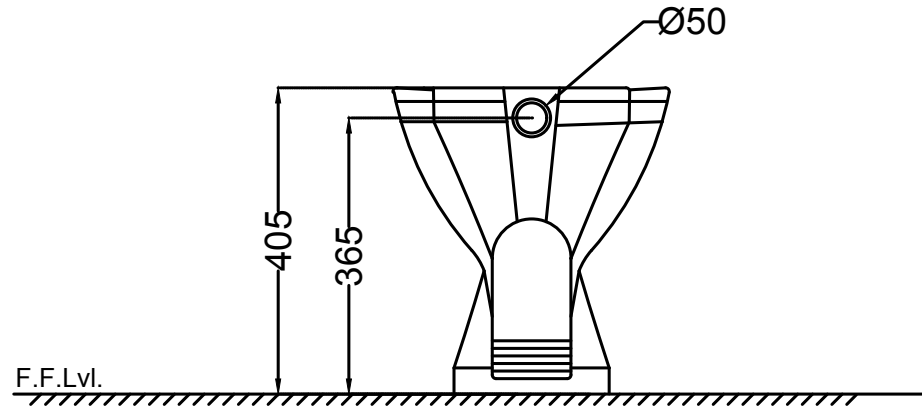
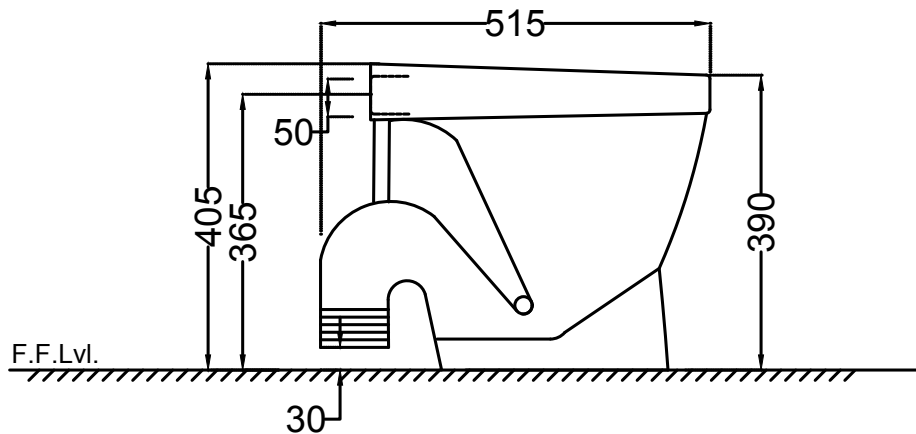



TOP VIEW



BACK VIEW



SIDE VIEW

 BY Jaquar GROUP	Jaquar Group Global Headquarters Plot No. 3, Sector- M-11, IMT Manesar Gurgaon, NCR - 122050, India E-mail : Sales: support@jaquar.com Customer Service : service@jaquar.com		ITEM CODE AIS-WHT-101551SNPPSM
			ITEM TYPE EWC S TRAP
			ITEM SIZE 340x515x405 mm
ALL DIMENSIONS ARE IN MM. (TOLERANCE ± 5 MM)			