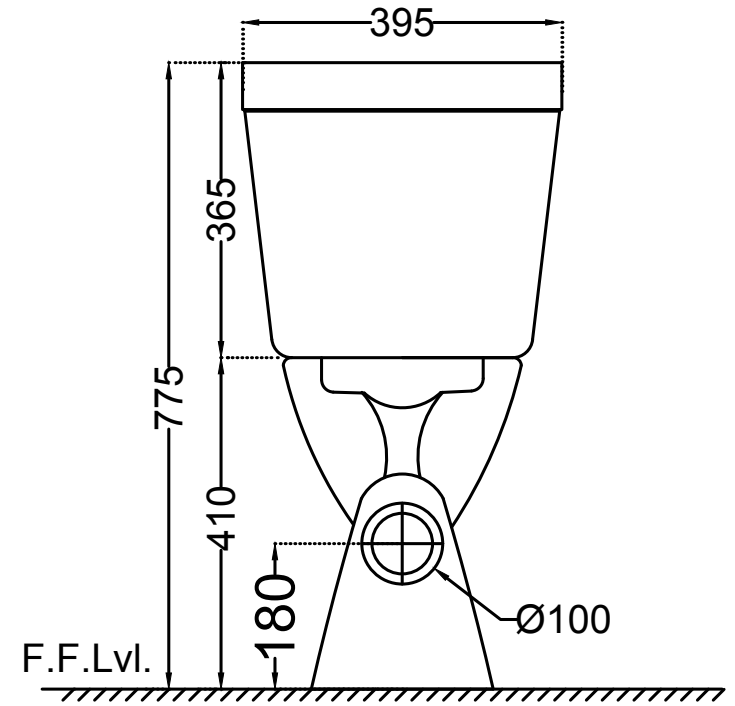
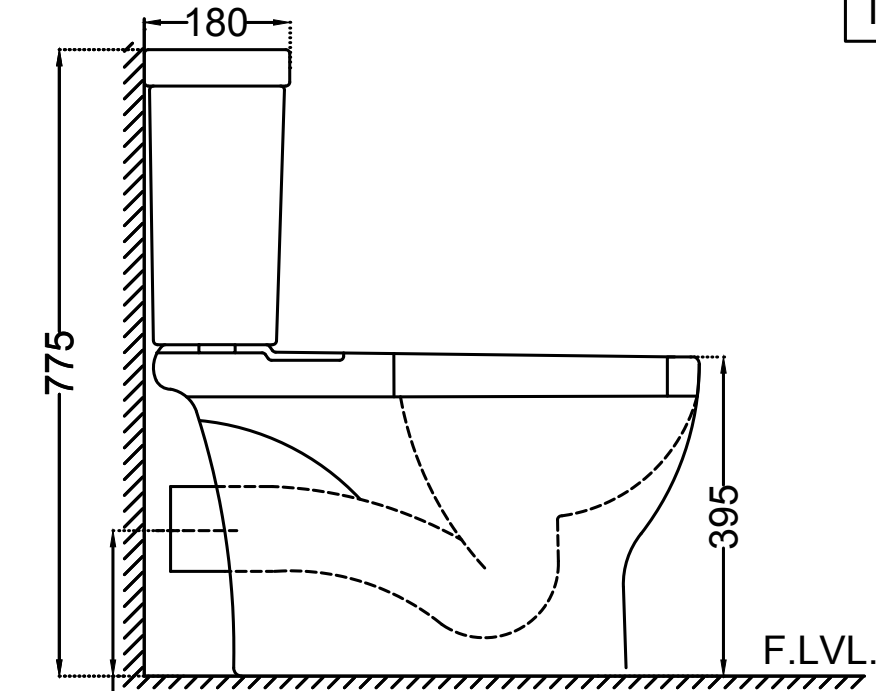



TOP VIEW



BACK VIEW



SIDE VIEW

 <b>ESSCO</b> <small>BY Jaquar</small>	<b>Jaquar Group</b>		ITEM CODE	AIS-WHT-101751P180NPPSMZ
	<small>Global Headquarters Plot No. 3, Sector- M-11, MT Manesar Gurgaon, NCR - 122050, India E-mail : Sales: support@jaquar.com Customer Service : service@jaquar.com</small>		ITEM TYPE	COUPLED WC P-TRAP 180 MM
			ITEM SIZE	395x680x775 mm
	<small>ALL DIMENSIONS ARE IN MM. (TOLERANCE ± 5 MM)</small>			