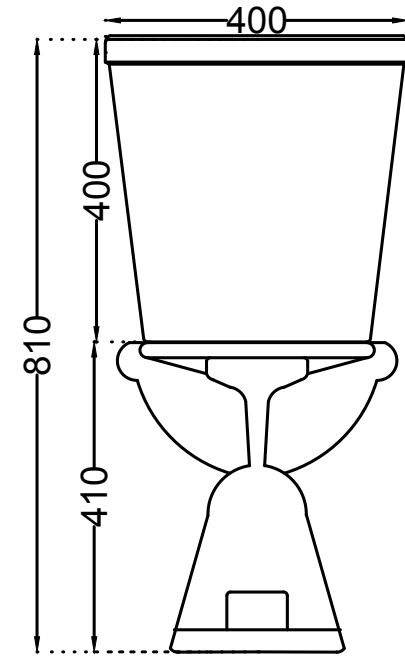
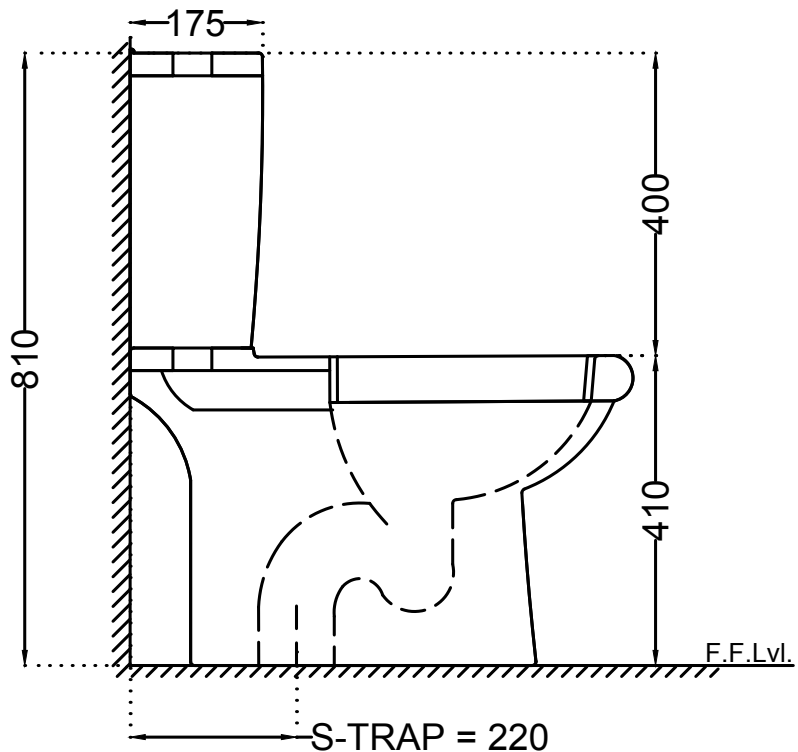



TOP VIEW



BACK VIEW



SIDE VIEW

	Jaquar Group Global Headquarters Plot No. 3, Sector- M-11, IMT Manesar Gurgaon, NCR - 122050, India E-mail : Sales: support@jaquar.com Customer Service : service@jaquar.com		ITEM CODE CMS-WHT-103751S220NPP + CMS-WHT-103201
			ITEM TYPE COUPLED WC S-TRAP 220 MM
			ITEM SIZE 400x665x810 mm
	ALL DIMENSIONS ARE IN MM. (TOLERANCE ± 5 MM)		