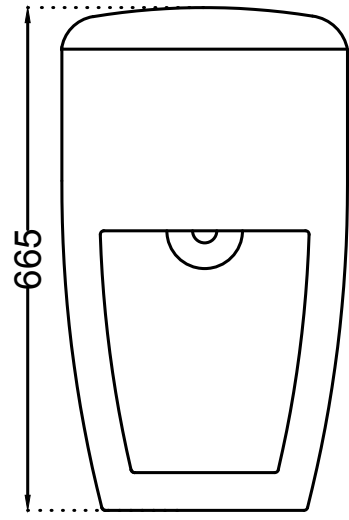
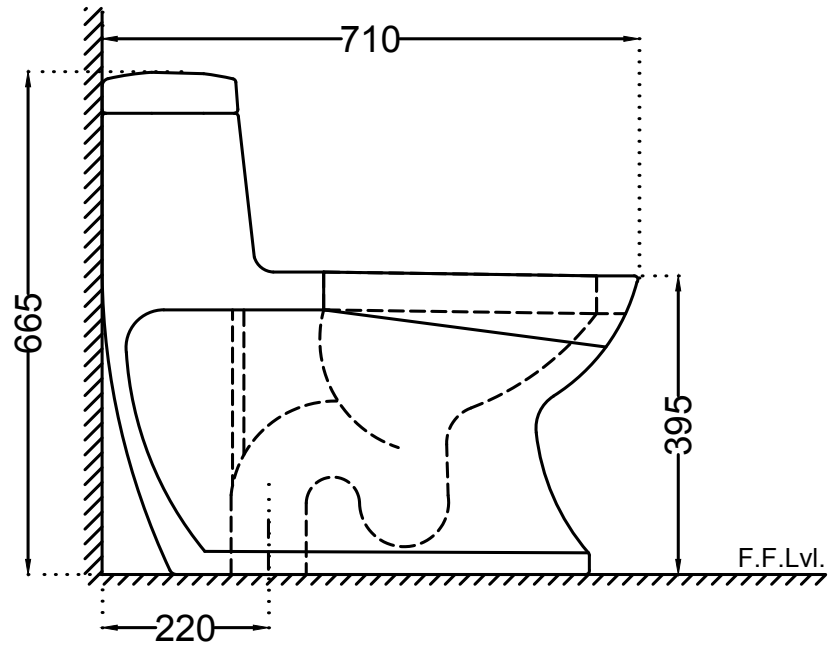


TOP VIEW



BACK VIEW



SIDE VIEW

	<b>Jaquar Group</b> Global Headquarters Plot No. 3, Sector- M-11, IMT Manesar Gurgaon, NCR - 122050, India E-mail : Sales: <a href="mailto:support@jaquar.com">support@jaquar.com</a> Customer Service : <a href="mailto:service@jaquar.com">service@jaquar.com</a>		ITEM CODE CMS-WHT-103851S220NPP
	ITEM TYPE SINGLE PIECE WC S TRAP-220 MM	ITEM SIZE 395x710x665 mm	ALL DIMENSIONS ARE IN MM. (TOLERANCE ± 5 MM)